



# FFD260-12

(Group Size: 8D)

Deep Cycle Sealed  
Maintenance-Free  
AGM Battery

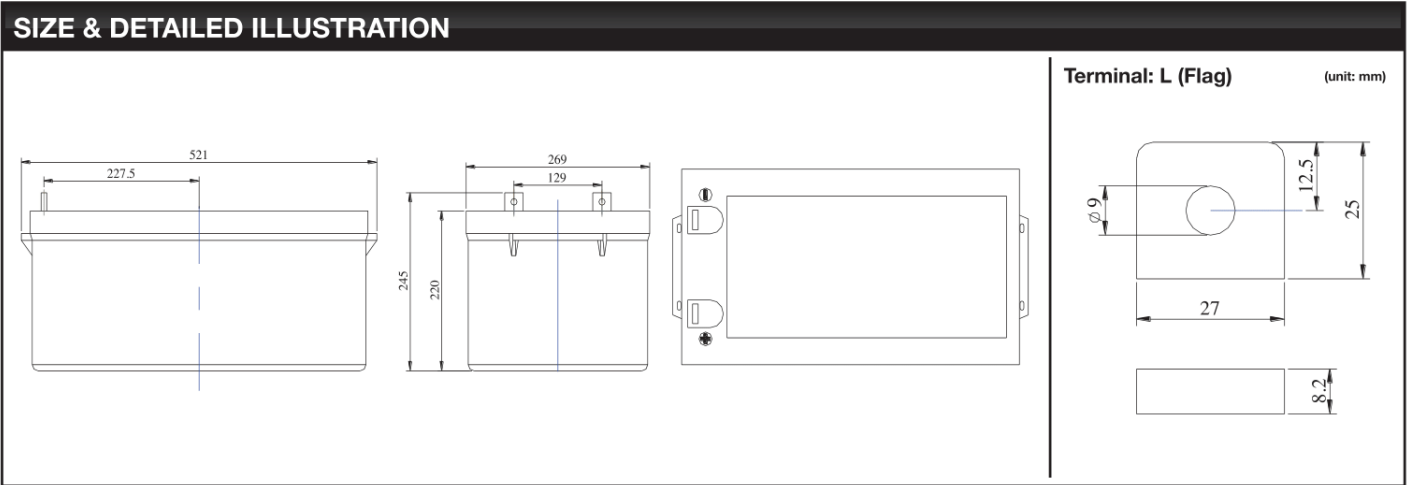
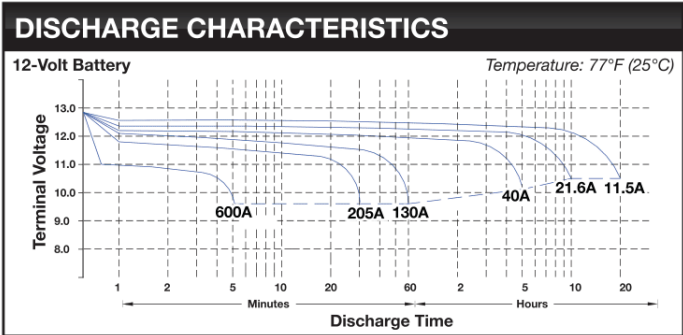
**DRAKE Marine**  
International Ltd



CRANKING PERFORMANCE		RESERVE CAPACITY		CONSTANT CURRENT DISCHARGE (Amps)											
CA 32°F	CCA 0°F	@25 AMPS	@75 AMPS	CUT OFF VOLTAGE V/cell	30M	45M	1H	2H	3H	5H	8H	10H	12H	20H	24H
1850	1550	560 Minutes	160 Minutes	1.75V	205	151	130	96	56	38	31	21.6	18.4	13	11.5

SPECIFICATIONS		
Nominal Voltage		12 Volt
Rated Capacity (20 hour rate)		260 AH
Dimensions	Total Height (including terminals)	245 mm (9.65")
	Height	220 mm (8.66")
	Length	521 mm (20.51")
	Width	269 mm (10.59")
Weight		73.1 kg (161.2 lbs)

CHARACTERISTICS		
Capacity 77°F (25°C)	20 Hour Rate (1.75A to 10.5 Volts)	260AH
	10 Hour Rate (21.6A to 10.2 Volts)	200AH
	5 Hour Rate (40A to 10.2 Volts)	135AH
Internal Resistance	Full charged Battery 77°F (25°C)	3.3m Ω
	104°F (40°C)	102%
Capacity Affected by Temperature (20 Hour Rate)	77°F (25°C)	100%
	32°F (0°C)	85%
	5°F (-15°C)	65%
	Capacity after 3 month storage	91%
Self-Discharge 77°F(25°C)	Capacity after 6 month storage	82%
	Capacity after 12 month storage	64%
	Max. Discharge Current 77°F (25°C)	2000A (5s)
Terminal	Standard	L (Flag)
Charging (Constant Voltage)	Cycle	Initial Charging Current ≤ 0.2 x C20 13.9 V ~ 14.2 V/77°F (25°C)
	Float	13.3 V ~ 13.5 V/77°F (25°C)



This information is generally descriptive only and is not intended to make or imply any representation, guarantee or warranty with respect to any cells and batteries. Cell and battery designs/specifications are subject to modifications without notice. Contact Fullriver for the latest information.