



# FFD200-12

(Group Size: 4D)

Deep Cycle Sealed  
Maintenance-Free  
AGM Battery

**DRAKE Marine**  
International Ltd

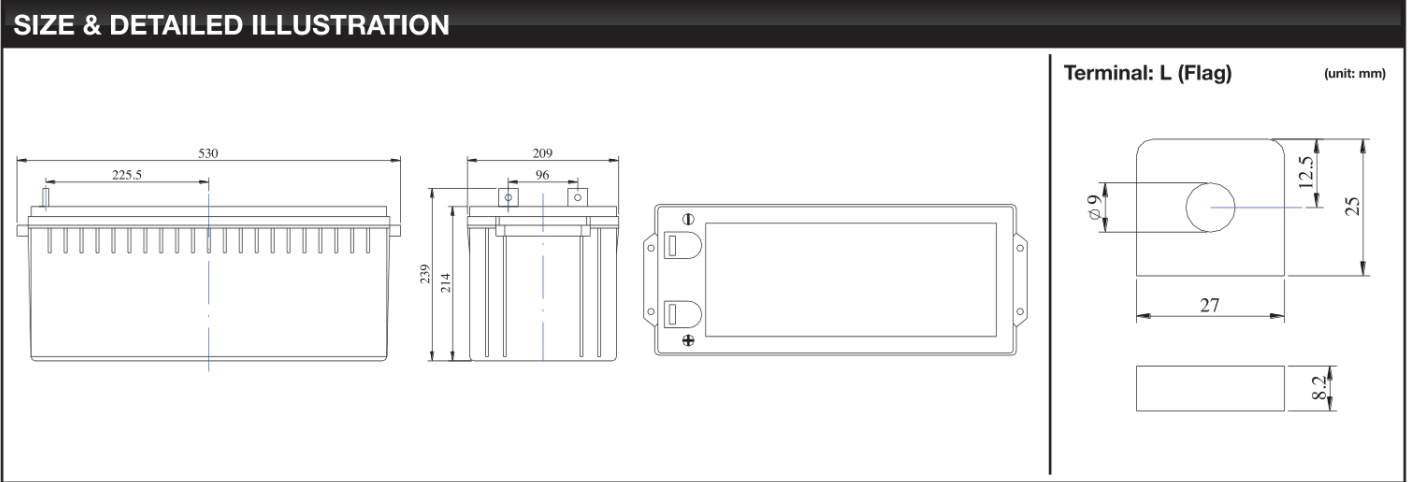
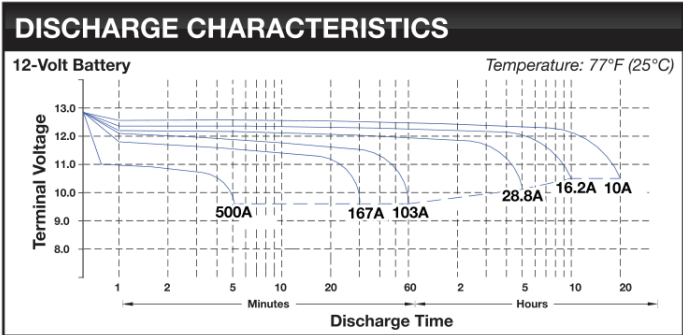


**FULL FORCE**  
BATTERY

CRANKING PERFORMANCE		RESERVE CAPACITY		CONSTANT CURRENT DISCHARGE (Amps)												
CA 32°F	CCA 0°F	@25 AMPS	@75 AMPS	CUT OFF VOLTAGE V/cell	15M	30M	45M	1H	2H	3H	5H	8H	10H	12H	20H	24H
1500	1300	400 Minutes	100 Minutes	1.75V	261	167	123	103	55.1	40.8	28.8	19.6	16.2	13.9	10.0	8.6

SPECIFICATIONS		
Nominal Voltage	12 Volt	
Rated Capacity (20 hour rate)	200 AH	
Dimensions	Total Height (including terminals)	239 mm (9.41")
	Height	214 mm (8.43")
	Length	530 mm (20.87")
	Width	209 mm (8.23")
Weight	55.7 kg (122.8 lbs)	

CHARACTERISTICS		
Capacity 77°F (25°C)	20 Hour Rate (1.75A to 10.5 Volts)	200AH
	10 Hour Rate (16.2A to 10.2 Volts)	162AH
	5 Hour Rate (28.8A to 10.2 Volts)	144AH
Internal Resistance	Full charged Battery 77°F (25°C)	4m Ω
	104°F (40°C)	102%
Capacity Affected by Temperature (20 Hour Rate)	77°F (25°C)	100%
	32°F (0°C)	85%
	5°F (-15°C)	65%
	Capacity after 3 month storage	91%
Self-Discharge 77°F(25°C)	Capacity after 6 month storage	82%
	Capacity after 12 month storage	64%
	Max. Discharge Current 77°F (25°C)	2000A (5s)
Terminal	Standard	L (Flag)
Charging (Constant Voltage)	Cycle	Initial Charging Current ≤ 0.2 x C20 13.9 V ~ 14.2 V/77°F (25°C)
	Float	13.3 V ~ 13.5 V/77°F (25°C)



This information is generally descriptive only and is not intended to make or imply any representation, guarantee or warranty with respect to any cells and batteries. Cell and battery designs/specifications are subject to modifications without notice. Contact Fullriver for the latest information.